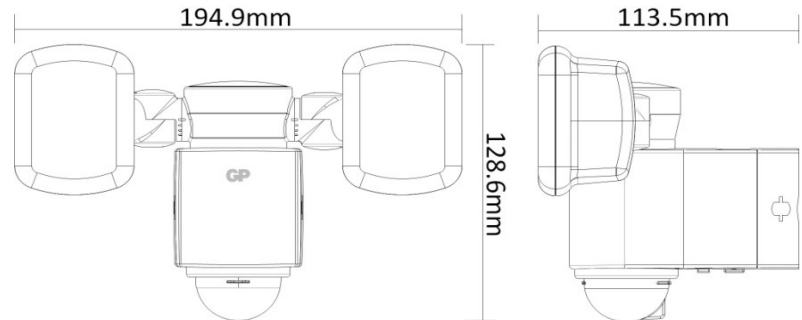


# GP Batteries

## Product Specification

Model no.: LSS6



Product Name : GP Safeguard RF2.1  
Description : Cordless safety and security LED sensor light, two headlamps, LSS6

### Electrical characteristics

Input Voltage : 4.5VDC (3 x 1.5V AA batteries)  
Operating Voltage : 4.5V  
Maximum Wattage : 1.0W  
Battery life time : 300 days\* (Based on 5 operation per day in Auto mode)  
150 days\* (Based on 10 operation per day in Auto mode)  
100 days\* (Based on 15 operation per day in Auto mode)  
4 hours\* (Constant On mode)

### Lighting characteristics

CCT : 4500K-5500K  
CRI :  $\geq 80$   
luminous flux / Intensity :  $\geq 120$  lm  
LED type : 2 x SMD LED  
Light modes : OFF / ON / AUTO  
Light duration in auto mode : 10 s  $\pm$  3 s  
Illuminated area at 2M height : 1.6 M<sup>2</sup>  
Illuminated area at 4M height : 6.5 M<sup>2</sup>  
Beam angle : 40°  $\pm$  10°

# GP Batteries

---

## Product Specification

Model no.: LSS6

---

### Sensors characteristics

Sensor	: Photo sensors & PIR Sensors
Sensor detection range	: 8M, 110°
Log in lux value	:0-35 Lux
Log out lux value	:0~40 Lux
Warm up time	:30 s ±10 s

### Physical characteristics

Operating temperature	: -20 °C to 50 °C
Storage temperature	: -20 °C to 50 °C
Dimension	: 194.9 (L) x 128.6 (H) x 113.5 (D) mm
Weight	: 225 g
Housing material	: PC
IP Rating	: IP55

Product compliance	: CE, Rohs
Warranty Period	: 12 months from ex-factory date